

Cim RED5

FULL BORE BALL VALVE - PN 20 - TYPE RED5 - STEEL LEVER HANDLE

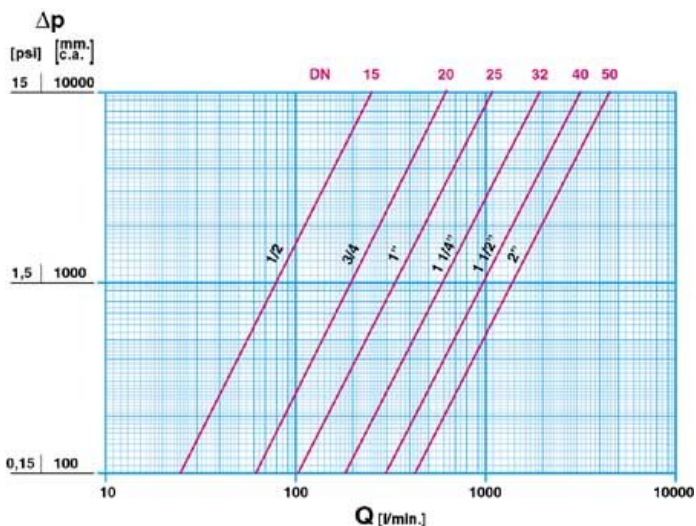


This article was made in compliance with the quality management requirements of standard ISO 9001:2008. All articles are tested according to the standard EN 12266-1:2003.

It can be used in a wide variety of sectors: heating, air conditioning, water, sanitary systems, pneumatic systems, oil pipelines, gasoline networks, saturated steam and generally with any non corrosive liquid. It is guaranteed for 5 years.

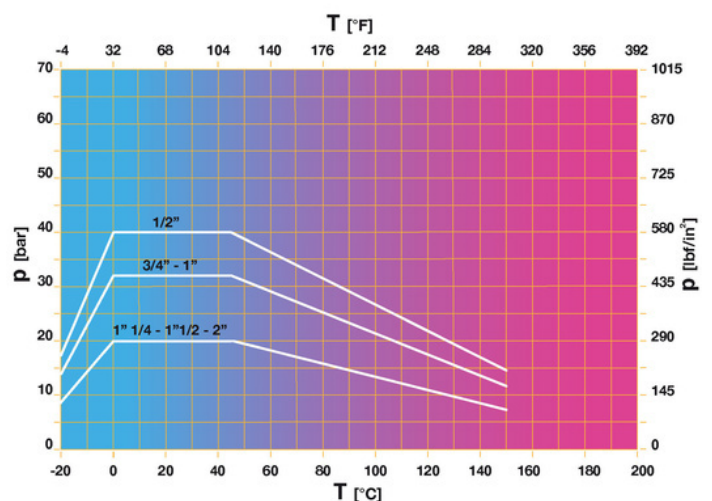
It is made of a brass alloy that complies with standard EN 12165-CW617N-M.

FLOW AND PRESSURE DROP



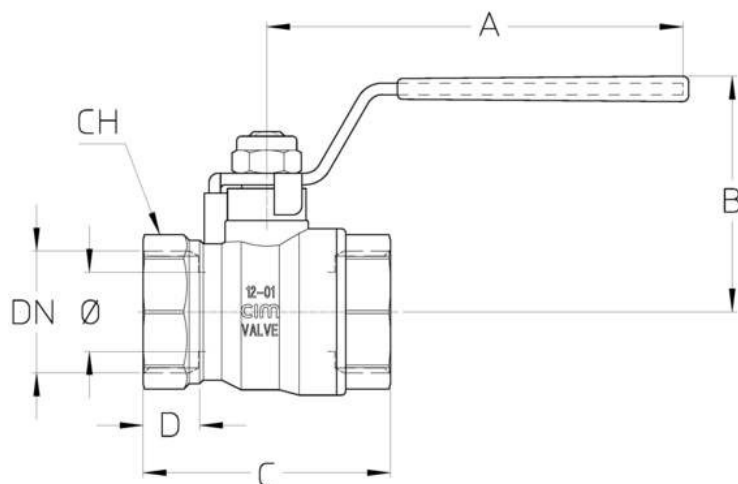
Flow and pressure drop
 1 l/min = 0,06 m3/h
 1 m3/h = 16,67 l/min

PRESSURE TEMPERATURE RATINGS



Pressure / temperature ratings
 1 bar = 14,5 p.s.i.
 $^{\circ}\text{C} = 5/9 (^{\circ}\text{F}-32)$
 $^{\circ}\text{F} = 32+9/5 ^{\circ}\text{C}$

TECHNICAL DRAWING



DN	1/2"	3/4"	1"	1"1/4	1"1/2	2"
Ø mm	14	19	24	30	38	47
Grms.	120	250	370	500	925	1370
A	90	90	110	110	150	150
B	47	51	55	60	79	85
C	47	54	66	74	88	102
D	12	12	15	16	18	19
CH	25	31	37	47	54	66

Connection: ISO 228

On request: ANSI B.1.20.1 (NPT)

TECHNICAL CHARACTERISTICS

KV CM CS MT						
DN	1/2"	3/4"	1"	1"1/4	1"1/2	2"
Ø mm	15	20	25	32	40	50
KV	17	41	68	123	198	290
CM	3	4	5	6	10	13
CS	6	10	12	17	22	26
MT	20	45	45	93	93	93

KV = Capacity in m³/h at pressure drop of 1 bar

CM = Working torque in Nm.

CS = Starting torque in Nm.

MT = Maximum torque on the stem in Nm.

CERTIFICATIONS

